

## Ball Spline

As one of the professional China Ball Spline manufacturers and suppliers. We have customers from both domestic market and overseas market. The total value of output is up to 1 million USD, exported to many countries. Our factory specializes in manufacturing of Multi-arc Magnetic Ion Coating Machine.



## Product Description

Ball Spline is a linear motion mechanism utilizing the rotational motion of ball elements that can sustain loads and at the same time can transfer torque. It can be used in a wide variety of applications including robotics and transport type equipment.



**Structure and advantage :**

The ball spline consists of a spline shaft with raceway grooves and a spline nut. The spline nut consists of an outer cylinder (main body), retainer, side rings, and ball elements. Designed and manufactured to achieve a reliably smooth motion.

**High Load Capacity and Long Travel Life:**

The raceway grooves are machined to a radius close to that of the ball elements. The large ball contact surface results in high load capacity and long travel life.

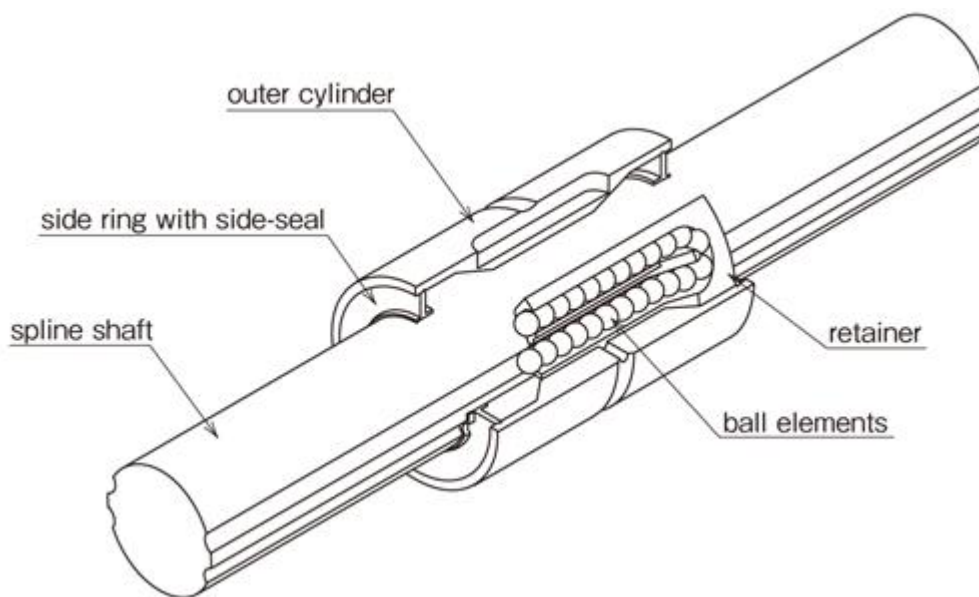
**High Rigidity:**

A wide contact angle and an appropriate level off preload are combined to provide high torque and moment rigidity.

**EZY Mount on Design:**

Hanlinrui Ball spline is low and simple maintenance designed, therefore even if disassembly is required. When the Spline Nut is necessary to remove for the spline shaft due to the ball retaining design the steel balls will not fall apart like the traditional Nut design.

Basic Structure of BALL SPLINE

**Ball Spline**



### **More information about Hanlinrui:**

If oem is acceptable?

Yes. almost product are customized.

Do you provide sample? Free or charge?

Of course to provide sample, charge depends on actual case.

Are you a trading company or a manufacturer?

We have own factory,welcome to visit.